



SPLIT-CORE CURRENT TRANSFORMER

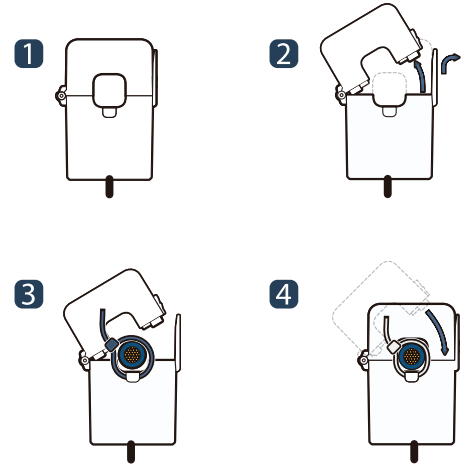
JSXXSL-XXX-100mA series



UL US
E344623 CE



HOW TO USE



JS series of split-core current transformer offers 100mA at secondary from sensed primary current. Without using secondary CT inside of meter, users directly connect JS series to a meter for high accuracy metering application. It enables one meter to be adopted for various current rating by only changing primary CT so it makes compact design meter and reduces developing cost. Also, over-voltage protection circuit is included to offer safe, fast and cost effective installation.

APPLICATIONS

- Power meter
- Switchgear
- Distributed measurement systems
- General Sets
- Control panels

FEATURES

- PC spring, secure locking hinge, one-touch structure make easy to install to the existent equipments such as a power distribution boards.
- Isolated plastic case recognized according to UL94-V0
- UL / EN 61010 - 1 certified

BENEFITS

- Small-size, light-weight
- Simple Installation
- Over-Voltage protection circuit is installed.

NOTICE

- Core contact surface is waterproofed, however if it gets rusty, you could reuse after removing rusts with spraying WD-40 or CRC5-56 on the rusted side
- Do not use any other chemicals except WD-40 or CRC5-56 on housing or any other parts.
- Customizing output lead wire

SPECIFICATION

Accuracy	Class 1.0
System Voltage	720V(0.72kV)
Overload withstand	1.2 times rated current continuously
Compliant with	IEC/EN61869-2 & IEC61010-1
Operating Temperature Range	-20°C to 55°C
Relative Humidity	0-85% non-condensing
Test Voltage	3kV for 1 minute
Frequency Range	50/60Hz
Protection Level	3.0V0-P
Insulation Category	CAT II or CAT III 600VAC



CURRENT TRANSFORMER RATIOS

How to Order / Model Reference

eg JS24SL 000 100mA

Model JS24SL
 Primary Current
 Select code from ratio table
 Secondary Current
 100mA

How to Order / Model Reference

eg JS36SL 000 100mA

Model JS36SL
 Primary Current
 Select code from ratio table
 Secondary Current
 100mA

Current Transformer Ratios

Primary Current (A)	Metering Burden(VA)			Code
	cl. 0.25	cl. 0.55	cl. 1	
250			0.05	250
300			0.05	300

100mA Secondary

Current Transformer Ratios

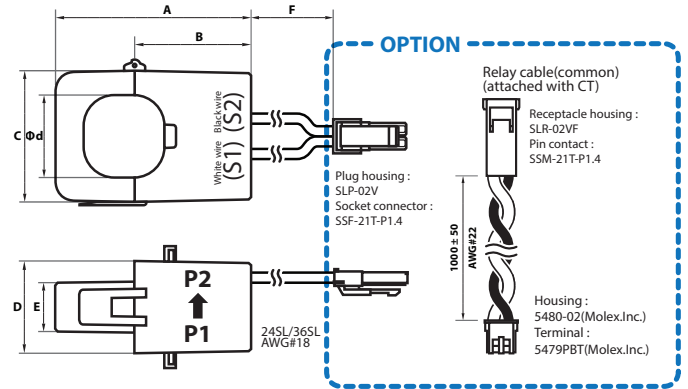
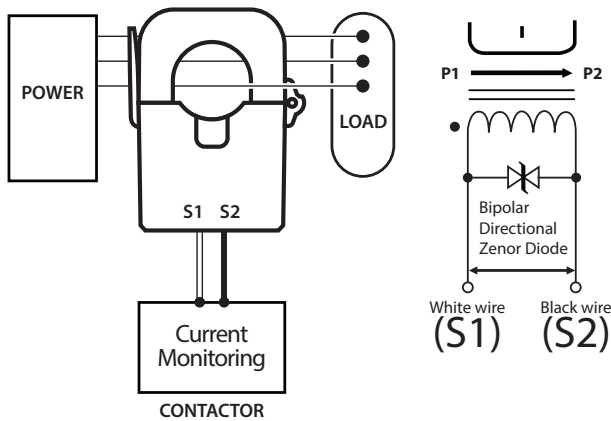
Primary Current (A)	Metering Burden(VA)			Code
	cl. 0.25	cl. 0.55	cl. 1	
300			0.05	300
400			0.05	400
500			0.05	500
600			0.05	600

100mA Secondary

Accuracy conforms to IEC61869-2 & IEEE/ANSI C57.13 meets the measuring range from 1 to 120 % of In

Accuracy conforms to IEC61869-2 & IEEE/ANSI C57.13 meets the measuring range from 1 to 120 % of In

APPLICATIONS / DIMENSIONS



Unit : mm

Model	A	B	C	D	E	F	Ød
JS24SL	65	37.5	45	33.7	21.1	200±20	24
JS36SL	82.4	48	57.1	40.2	21.1	200±20	36