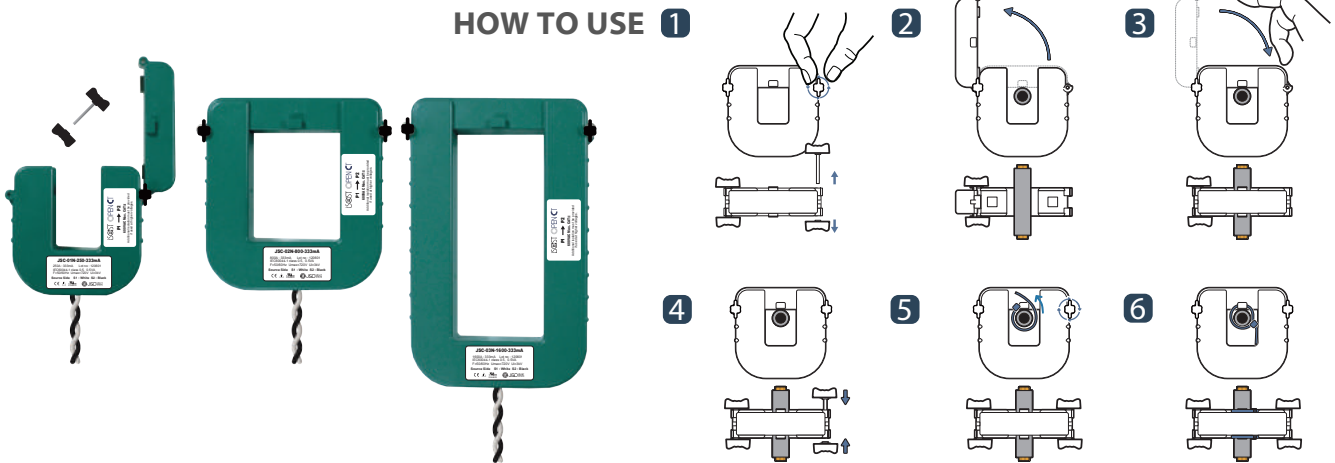




REVENUE-GRADE SPLIT-CORE CURRENT TRANSFORMER

JSC-XXN-XXXX-333mV series



JSC series of split-core current transformer offers 333mV at secondary from sensed primary current. Without using secondary CT inside of meter, users directly connect JSC series to a meter for high accuracy metering application. It enables one meter to be adopted for various current rating by only changing primary CT so it makes compact design meter and reduces developing cost. Also, over-voltage protection circuit is included to offer safe, fast and cost effective installation.

APPLICATIONS

- Power meter
- Switchgear
- Distributed measurement systems
- General Sets
- Control panels

FEATURES

- High quality comprehensive measurement
- Available in a wide range of transformer ratings
- Accuracy up to Class 0.5S

BENEFITS

- Faster installation
- Cost effective
- Long product life

NOTICE

- Core contact surface is waterproofed, however if it gets rusty, you could reuse after removing rusts with spraying WD-40 or CRC5-56 on the rusted side.
- Do not use any other chemicals except WD-40 or CRC5-56 on housing or any other parts.
- Customizing output lead wire

SPECIFICATION

Accuracy	Class 0.5S
Leads	18AWG, 600VAC
System Voltage	720V(0.72kV)
Overload withstand	1.2 times rated current continuously
Compliant with	IEC/EN61869-2 & IEC61010-1
Operating Temperature Range	-20°C to 60°C
Relative Humidity	0-85% non-condensing
Test Voltage	3kV for 1minute
Frequency Range	50/60Hz
Protection Level	3.0V0-P
Insulation Category	CAT II or CATIII 600VAC



CURRENT TRANSFORMER RATIOS / DIMENSIONS

How to Order / Model Reference

eg **JSC-01N-0000/333mV**

M **JSC-01N**

Primary Current
Select code from ratio table

Secondary Voltage
333mV **333 mV**

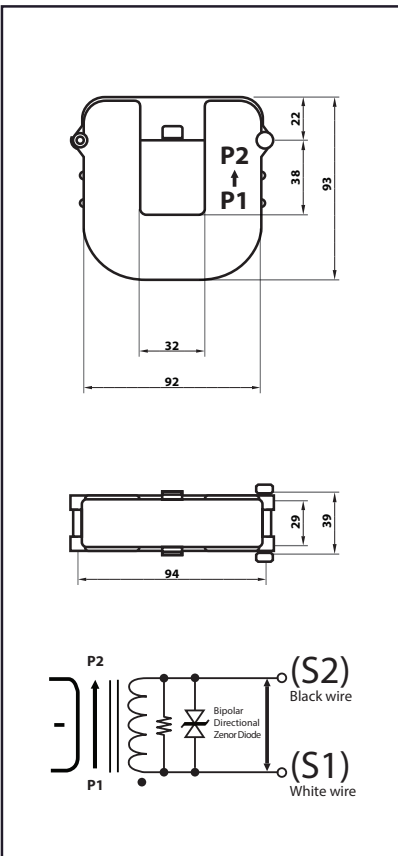
Current Transformer Ratios

Primary Current (A)	Metering Burden(VA)				Code
	cl. 0.25	cl. 0.55	cl. 1		
	cl. 0.3	cl. 0.6	cl. 1.2		
250		0.05			0250
400		0.05			0400

333mV Secondary

Accuracy conforms to IEC61869-2 & IEEE/ANSI C57.13 meets the measuring range from 1 to 120 % of I_n

Dimensions



How to Order / Model Reference

eg **JSC-02N-0000/333mV**

M **JSC-02N**

Primary Current
Select code from ratio table

Secondary Voltage
333mV **333 mV**

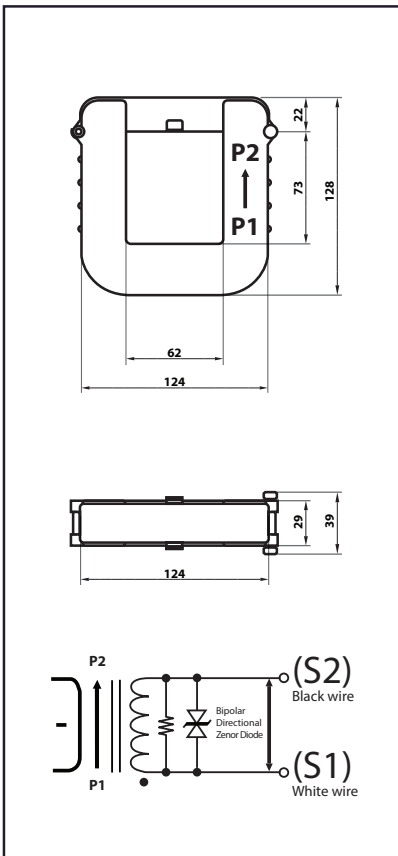
Current Transformer Ratios

Primary Current (A)	Metering Burden(VA)				Code
	cl. 0.25	cl. 0.55	cl. 1		
	cl. 0.3	cl. 0.6	cl. 1.2		
400		0.05			0400
600		0.05			0600
800		0.05			0800
1000		0.05			1000
1200		0.05			1200

333mV Secondary

Accuracy conforms to IEC61869-2 & IEEE/ANSI C57.13 meets the measuring range from 1 to 120 % of I_n

Dimensions



How to Order / Model Reference

eg **JSC-03N-0000/333mV**

M **JSC-03N**

Primary Current
Select code from ratio table

Secondary Voltage
333mV **333 mV**

Current Transformer Ratios

Primary Current (A)	Metering Burden(VA)				Code
	cl. 0.25	cl. 0.55	cl. 1		
	cl. 0.3	cl. 0.6	cl. 1.2		
800		0.05			0800
1000		0.05			1000
1200		0.05			1200
1600		0.05			1600
2000		0.05			2000
2400		0.05			2400

333mV Secondary

Accuracy conforms to IEC61869-2 & IEEE/ANSI C57.13 meets the measuring range from 1 to 120 % of I_n

Dimensions

