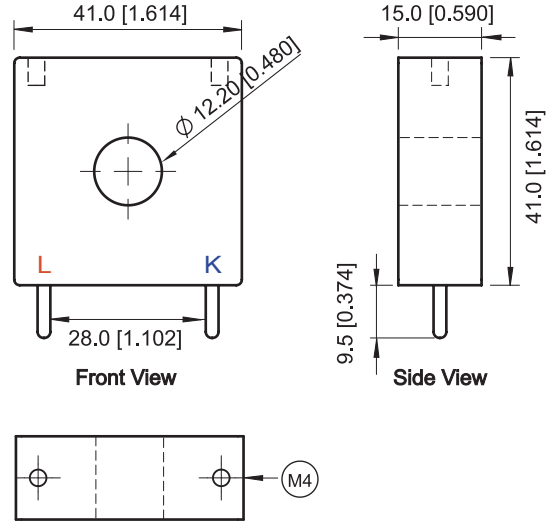
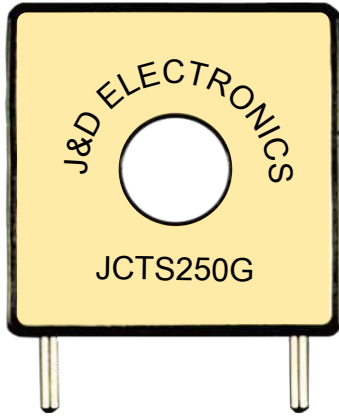




Current Transformer

JCTS250G

Dimension >>>>



Unit : mm [inch]

Accuracy conforms to IEC 61869-2, meets the measuring range from 1 to 120 % of I_n

Model	Primary Current Range		Error	Turns Ratio	Characteristical Value					Terminal Structure	Inner Dia. ϕ
	Rated Current	Max Current	Phase $\phi(I) [^\circ]$		I_{max} [Arms]	L [H]	R _{cu} [Ω]	R _B [Ω]	UB [Vrms]		
JCTS250G	100/200	250	0.13	1:2500	100	110	74	5	0.20	Pin	12.2

>>>> Output Voltage Data

